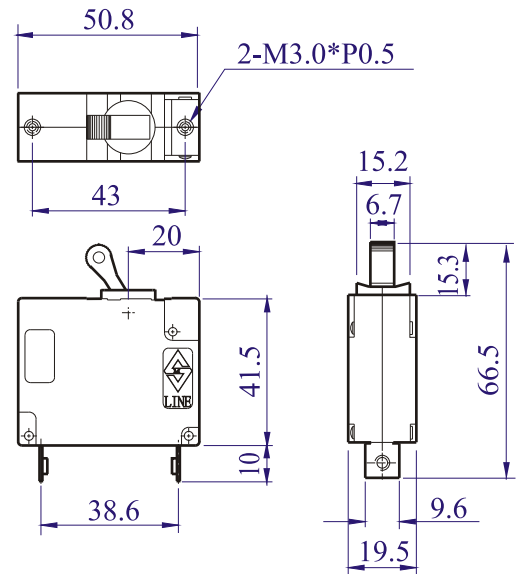




SERIES A-0707

Toggle Circuit Breaker | Overload Protector

Sang Mao



DIMENSION IN mm

DERATING FACTOR		
TEMP	5A ~ 11A	12A ~ 30A
50°C	× 0.57	× 0.50
45°C	× 0.65	× 0.60
40°C	× 0.82	× 0.75
35°C	× 0.90	× 0.90
30°C	× 0.96	× 0.96
25°C	× 1.00	× 1.00
20°C	× 1.05	× 1.05
15°C	× 1.10	× 1.10
10°C	× 1.15	× 1.15
5°C	× 1.20	× 1.20

(FOR REFERENCE ONLY)

MAX. INTERNAL RESISTANCE	
5.0A	0.060 Ω
6.0A- 9.0A	0.015 Ω
10.0A-13.0A	0.012 Ω
14.0A-18.0A	0.010 Ω
19.0A-23.0A	0.010 Ω
24.0A-27.0A	0.008 Ω
28.0A-30.0A	0.008 Ω

SPECIFICATIONS:

- * STANDARD RATING: **5-30 AMPERE**.
- * INPUT POWER: **65 VDC / 125 VAC / 250 VAC**
- * DIELECTRIC STRENGTH: **1500 VAC / 1 MINUTE**
- * INTERRUPT CAPACITY : **125VAC × 1000A, 250VAC × 1000A.**
- * RATED CONDITIONAL SHORT-CIRCUIT CURRENT : **IEC-934 "PC. 1 1000A" WITH " FUSE 16A gL/ gG "** .
- * INSULATION RESISTANCE : **> 100 MΩ**
- * CALIBRATION:
 - 25 °C - **100%** OF RATED CURRENT - CONTINUOUSLY CARRIED.
 - 25 °C - BETWEEN **101% TO 134%** - MAY TRIP OR NOT.
 - 25 °C - **135%** OF RATED CURRENT - TRIP **WITHIN 10 MINUTES.**
 - 25 °C - **200%** OF RATED CURRENT - TRIP **WITHIN 40 SECONDS.**
- * CONTACT ENDURANCE: **125/250 VAC × 100%** OF RATED CURRENT - **6,000 CYCLES.**
- * **IEC - 934** METHOD OF OPERATION : "**M**" = **AUTOMATIC INTERRUPTION AND NON-AUTOMATIC (MANUAL) RESETTING .**
- * **IEC - 934** METHOD OF TRIPPING: "**TO**" = **THERMAL .**
- * DEGREE OF TRIP - FREE BEHAVIOUR : "**CYCLING TRIP - FREE**"
- * RESET: **TOGGLE RESET**

APPLICATIONS:

- * POWER SURPLY
- * CONTROL PANEL
- * CONTROL SYSTEMS
- * MARINE EQUIPMENT
- * UPS

TRIP TIME CURVE

